

Butterfly Valve R4a, double eccentric



Butterfly Valve R4a ,soft seated, double eccentric

Available sizes DN 100 – DN 600, replaceable, steel - reinforced sealing element
Flanges acc. to DIN EN 1092-2 (DIN 2501) PN 10 / 16 - remaining on request
Face to face dimensions acc. to ISO 5752 / EN558-1 row 14 (DIN 3202 row F4)

Design features:

- Easy installation with combined seat- and flange-sealing, steel – reinforced
- All inner parts of the body, even the shafts and shaft housing hardrubber lined
- Full bore, no constriction
- Low drag reduction, slim disc

| Materials | Standard | Alternatives |
|-------------------------------|---|--------------------------|
| Body: | EN-GJS-400-15 (GGG40) hardrubber lined | |
| Disc: | EN-GJS-400-15 (GGG40) hardrubber lined | |
| Sealing element: | EPDM | IIR, NBR, Hypalon, Viton |
| Shafts: | 1.4122 / hardrubber lined | 1.4462 |
| Protection against corrosion: | Epoxy coated, approx. 250µm | |

Operation

Type R42 with electric actuator

Type R43 with gear and electric actuator

Type R44 with pneumatic actuator, double acting

Type R45 with pneumatic actuator, spring to open

Type R46 with pneumatic actuator, spring to close

Type R49 with gear and handwheel

Technical details subject to change without notice / Tolerances acc. to DIN/ANSI standards, other dimensions approximate

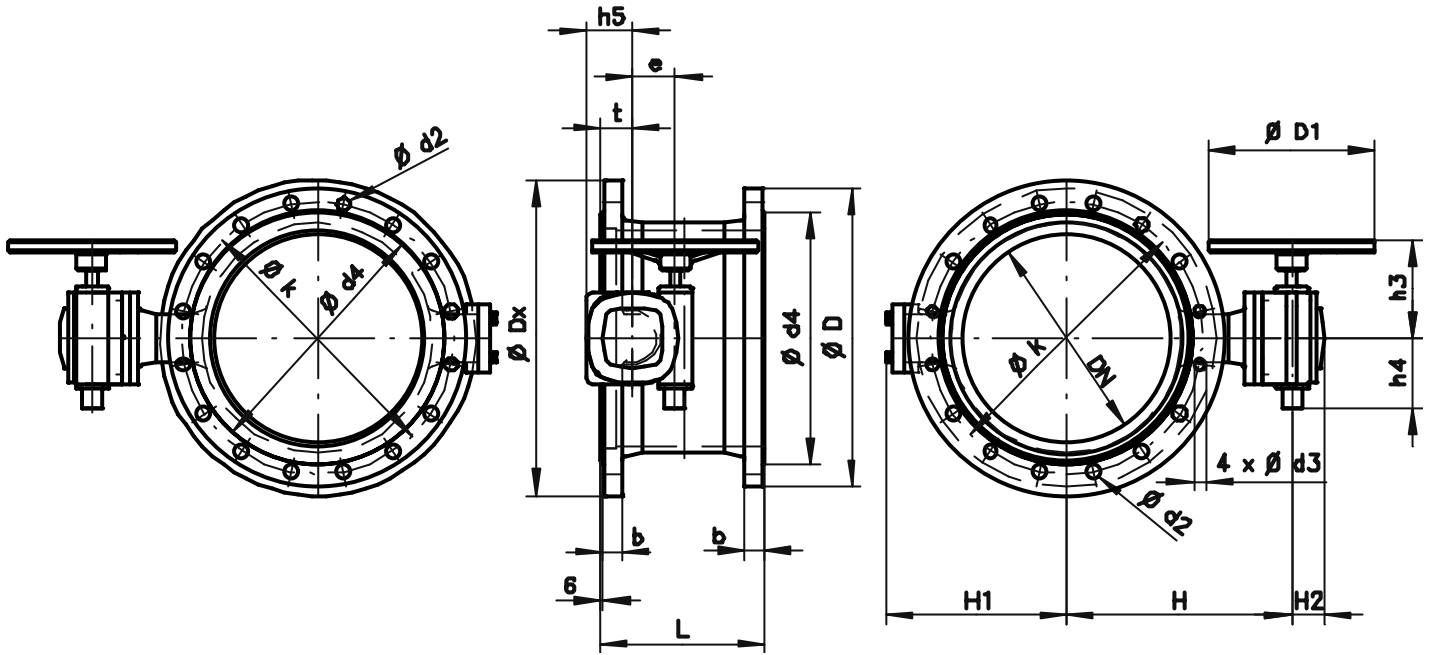
S+S

S+S Armaturen GmbH
Unterbüschlerhof 29 D-42799 Leichlingen
☎ +49 (0)2174 / 7847-0 FAX +49 (0)2174 / 7847-30

Nr.: R4-E - 0
Rev. 05 / 06

Absperrklappe R49a / PN10

Butterfly Valve R49a / PN10



DN 100 - DN 600 p = Betriebsdruck (bar) $p_{max} \leq 10 \text{ bar}^{*)}$

DN 100 - DN 600 p = working pressure (bar) $p_{max} \leq 10 \text{ bar}^{*)}$

alle Maße in mm

all dimensions in mm

| DN | 100 | 150 | 200 | 250 | 300 | 350 | 400 | 500 | 600 |
|----------------------|------|------|------|------|-----|------|------|------|-----|
| L | 190 | 210 | 230 | 250 | 270 | 290 | 310 | 350 | 390 |
| Ø D | 220 | 285 | 343 | 405 | 455 | 505 | 565 | 670 | 780 |
| Ø Dx | 220 | 285 | 343 | 405 | 482 | 534 | 597 | 715 | 840 |
| Ø k | 180 | 240 | 295 | 350 | 400 | 460 | 515 | 620 | 725 |
| n _{d2 + d3} | 8 | 8 | 8 | 12 | 12 | 16 | 16 | 20 | 20 |
| Ø d2 | 18 | 23 | 23 | 23 | 23 | 23 | 26 | 26 | 30 |
| Ø d3 | M16 | - | - | M20 | M20 | M20 | M24 | M24 | M27 |
| Ø d4 | 158 | 209 | 268 | 320 | 370 | 427 | 477 | 582 | 682 |
| b | 23,5 | 25 | 29 | 30 | 32 | 35 | 36,5 | 40 | 45 |
| Ø D1 | 160 | 160 | 160 | 200 | 315 | 315 | 400 | 400 | 400 |
| H | 202 | 235 | 257 | 292 | 357 | 382 | 426 | 518 | 600 |
| H1 | 137 | 172 | 202 | 238 | 276 | 300 | 340 | 402 | 471 |
| H2 | 51,5 | 51,5 | 51,5 | 51,5 | 58 | 61,5 | 61,5 | 79 | 83 |
| h3 | 141 | 141 | 141 | 146 | 184 | 189 | 296 | 270 | 325 |
| H4 | 96 | 96 | 96 | 96 | 127 | 133 | 133 | 187 | 192 |
| t | 35,9 | 41 | 42 | 48 | 53 | 55 | 62 | 72,5 | 78 |
| e | 50 | 50 | 50 | 50 | 63 | 80 | 80 | 100 | 125 |

Baulänge nach ISO 5752 / EN558-1 Reihe 14 (DIN3202 Reihe F4)

Face to face dimensions acc. to ISO 5752 / EN558-1 series 14 (DIN3202 series F4)

Gewicht ca. (kg)

weight approx. (kg)

| DN | 100 | 150 | 200 | 250 | 300 | 350 | 400 | 500 | 600 |
|----|-----|-----|-----|-----|-----|-----|-----|-----|-----|
| G | 35 | 45 | 61 | 82 | 107 | 136 | 165 | 277 | 434 |

Flanschdichtfläche: DIN 2526-Form C - Dichtoberfläche glatt

flange facing: DIN 2526-Form C - Surface with smooth finish

Technische Änderungen vorbehalten / Toleranz Normmaße nach DIN/ANSI, übrige Maße sind Richtwerte
Technical details subject to change without notice / Tolerances acc. to DIN/ANSI standards, other dimensions approximate

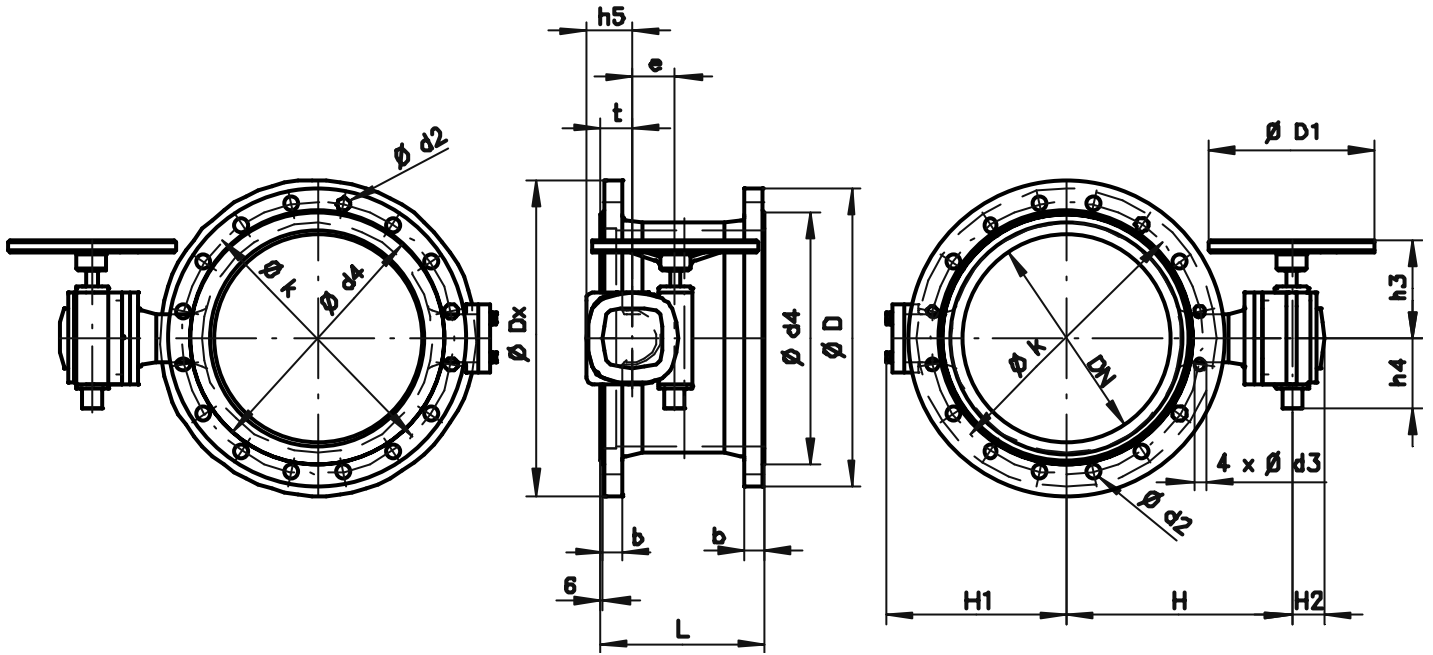
S+S

S+S Armaturen GmbH
Unterbüscherhof 29 D-42799 Leichlingen
TEL. +49 (0)2174 / 7847-0 FAX +49 (0)2174 / 7847-30

Maßblatt
Nr.: R49a - 01
Rev. 05 / 06

Absperrklappe R49a / PN16

Butterfly Valve R49a / PN16



DN 100 - DN 600 $p =$ Betriebsdruck (bar) $p_{max} \leq 16 \text{ bar}^{*)}$

DN 100 - DN 600 $p =$ working pressure (bar) $p_{max} \leq 16 \text{ bar}^{*)}$

alle Maße in mm

all dimensions in mm

| DN | 100 | 150 | 200 | 250 | 300 | 350 | 400 | 500 | 600 |
|------------------|------|------|------|------|-----|------|------|------|-----|
| L | 190 | 210 | 230 | 250 | 270 | 290 | 310 | 350 | 390 |
| $\varnothing D$ | 220 | 285 | 343 | 405 | 455 | 520 | 580 | 715 | 840 |
| $\varnothing Dx$ | 220 | 285 | 343 | 405 | 482 | 534 | 597 | 715 | 840 |
| $\varnothing k$ | 180 | 240 | 295 | 355 | 410 | 470 | 525 | 650 | 770 |
| $n_{d2 + d3}$ | 8 | 8 | 12 | 12 | 12 | 16 | 16 | 20 | 20 |
| $\varnothing d2$ | 18 | 23 | 23 | 27 | 27 | 27 | 30 | 33 | 37 |
| $\varnothing d3$ | M16 | - | M20 | M24 | M24 | M24 | M27 | M30 | M33 |
| $\varnothing d4$ | 158 | 209 | 268 | 320 | 370 | 427 | 477 | 582 | 682 |
| b | 23,5 | 25 | 29 | 30 | 32 | 35 | 36,5 | 40 | 45 |
| $\varnothing D1$ | 160 | 160 | 160 | 250 | 315 | 400 | 400 | 400 | 400 |
| H | 202 | 235 | 257 | 292 | 357 | 382 | 426 | 518 | 600 |
| H1 | 137 | 172 | 202 | 238 | 276 | 300 | 340 | 402 | 471 |
| H2 | 51,5 | 51,5 | 51,5 | 51,5 | 58 | 61,5 | 61,5 | 79 | 83 |
| h3 | 141 | 141 | 141 | 146 | 184 | 296 | 296 | 270 | 325 |
| H4 | 96 | 96 | 96 | 96 | 127 | 133 | 133 | 187 | 192 |
| t | 35,9 | 41 | 42 | 48 | 53 | 55 | 62 | 72,5 | 78 |
| e | 50 | 50 | 50 | 50 | 63 | 80 | 80 | 100 | 125 |

Baulänge nach ISO 5752 / EN558-1 Reihe 14 (DIN3202 Reihe F4)

Face to face dimensions acc. to ISO 5752 / EN558-1 series 14 (DIN3202 series F4)

Gewicht ca. (kg)

weight approx. (kg)

| DN | 100 | 150 | 200 | 250 | 300 | 350 | 400 | 500 | 600 |
|----|-----|-----|-----|-----|-----|-----|-----|-----|-----|
| G | 35 | 45 | 61 | 82 | 107 | 141 | 167 | 288 | 454 |

Flanschdichtfläche: DIN 2526-Form C - Dichtoberfläche glatt

flange facing: DIN 2526-Form C - Surface with smooth finish

Technische Änderungen vorbehalten / Toleranz Normmaße nach DIN/ANSI, übrige Maße sind Richtwerte
Technical details subject to change without notice / Tolerances acc. to DIN/ANSI standards, other dimensions approximate

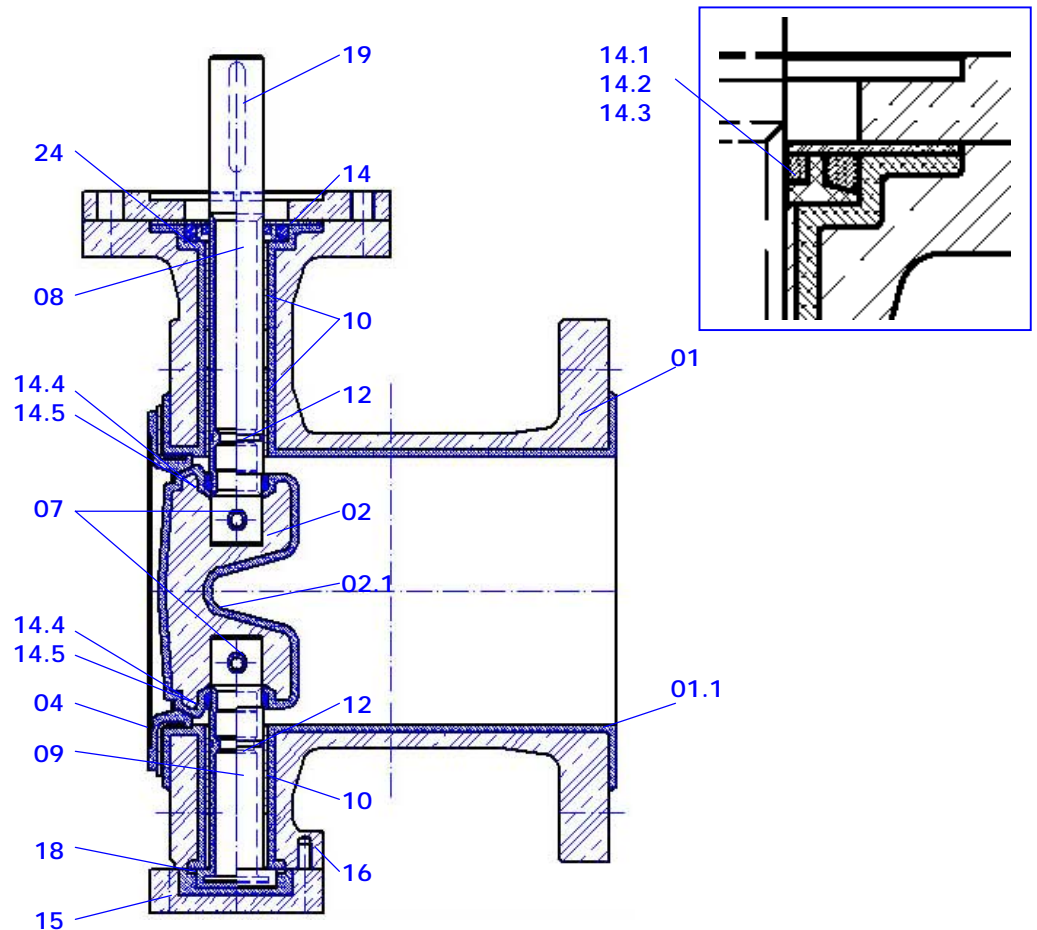
S+S

S+S Armaturen GmbH
Unterbüscherhof 29 D-42799 Leichlingen
TEL. +49 (0)2174 / 7847-0 FAX +49 (0)2174 / 7847-30

Maßblatt
Nr.: R49a - 02
Rev. 08 / 06

Absperrklappe R4a

Butterfly valve R4a



| Pos. Item | Benennung | Designation | Standard R4a | Alternativen optional material |
|-----------|-----------------------------|---------------------------|--|--------------------------------|
| 01 | Gehäuse | body | EN-GJS-400-15(GGG40) | |
| 01.1 | Gehäuseauskleidung | body lining | Hartgummi / hardrubber | |
| 02 | Klappenscheibe | disc | EN-GJS-400-15(GGG40) | |
| 02.1 | Klappenscheibe Beschichtung | lining disc | Hartgummi / hardrubber | |
| 04 x | Dichtelement | seat seal | EPDM | IIR, NBR |
| 07 | Spannhülse | adapter sleeve | 55Si7 | |
| 08 | Antriebswelle | shaft | 1.4122 hartgum. / rubber lined | |
| 09 | Lagerzapfen | shaft | 1.4122 hartgum. / rubber lined | |
| 10 | Lagerbuchse | bush | 2.1050.01 | |
| 12 | O-Ring | O-ring | EPDM | NBR |
| 14 x | Wellenabdichtung | shaft seal | EPDM | NBR |
| 15 | Deckel | cover | S235JRG2 (RSt37-2) hartgum. / rubber lined | |
| 16 | Schraube, Federring | screw, spring washer | A4-70 | |
| 18 | O-Ring | O-ring | EPDM | NBR |
| 19 | Paßfeder | key | E295 (St50-2K) | |
| 24 | Schraube, Federring, Mutter | screw, nut, spring washer | 8.8 - A3C | |

x = Verschleiß- und Ersatzteile

x = spare and wear parts

Technische Änderungen vorbehalten / Toleranz Normmaße nach DIN/ANSI, übrige Maße sind Richtwerte
 Technical details subject to change without notice / Tolerances acc. to DIN/ANSI standards, other dimensions approximate

S+S

S+S Armaturen GmbH
 Unterbüscherhof 29 D-42799 Leichlingen
 TEL. +49 (0)2174 / 7847-0 FAX +49 (0)2174 / 7847-30

Schnittzeichnung
 Nr.: R40a - 02
 Rev. 05 / 06